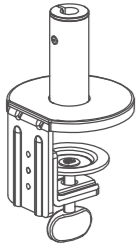
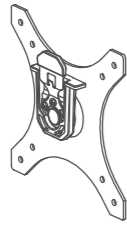


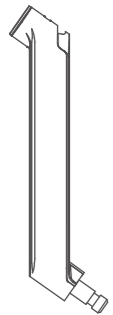
In the box



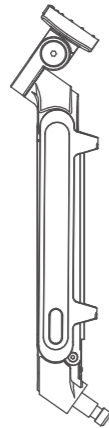
X 1



X 1



X 1



X 1



X 6 (M4)



X 6 (M5)



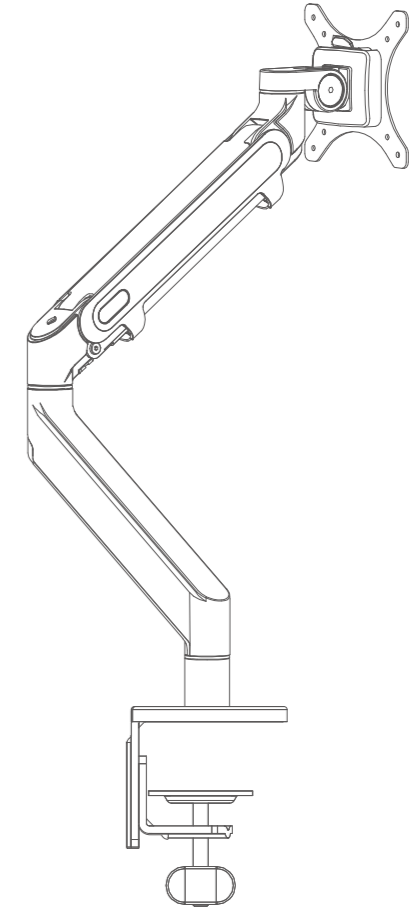
X 1(3 / 4 / 5 MM)



Cautions

- Please read the manual thoroughly before you begin the installation.
- This product contains high-pressure gas springs. Do not put into fire or expose to high temperatures.
- Under no circumstances does the manufacturer accept warranty claims or liability claims for damages caused by improper use or handling of the desk.
- Do not open or modify any of the components. Doing so may cause damage or personal injury and voids any warranty claims.
- Only mount onto desktops that could bear the weight of the mount and monitors.
- This product contains small parts, keep away from children.

OWNELEMENT.COM

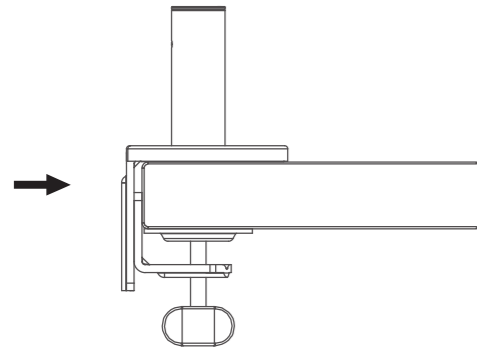


OwnElement
SwaySingle

Instruction Manual

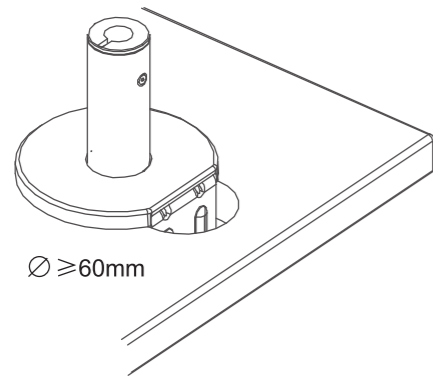
STEP 1: Installing the base

Method 1: Installing on the open edge of the table top

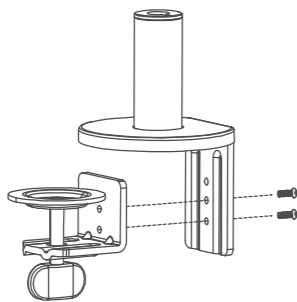


Mount the base to your table top. If the default clamp size is not suitable for you, it can be made larger or smaller by adjusting its bottom plate.

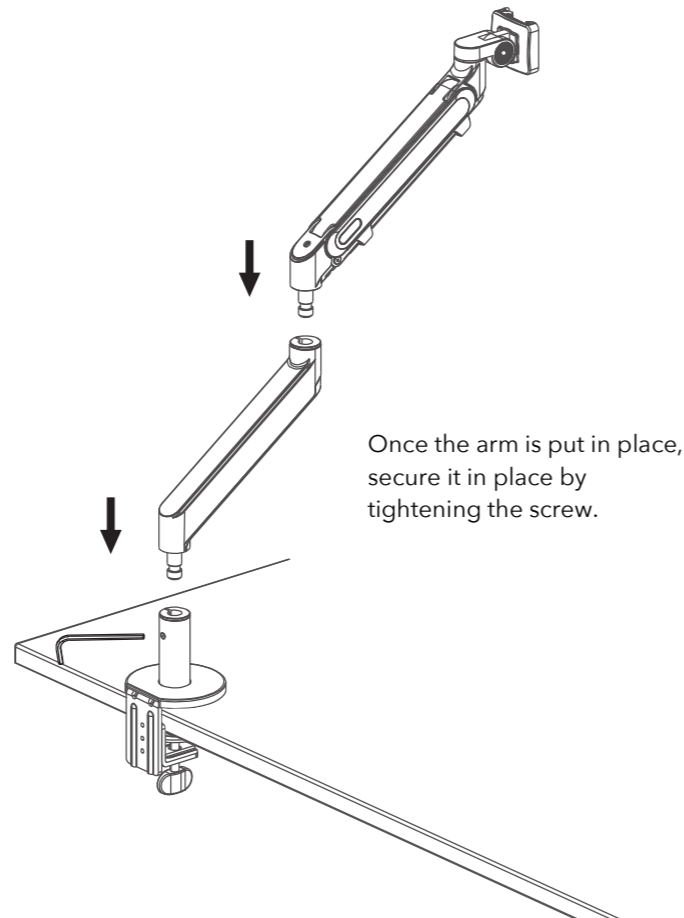
Method 2: Installing through a grommet hole



Detach the bottom clamp before installing the base stem

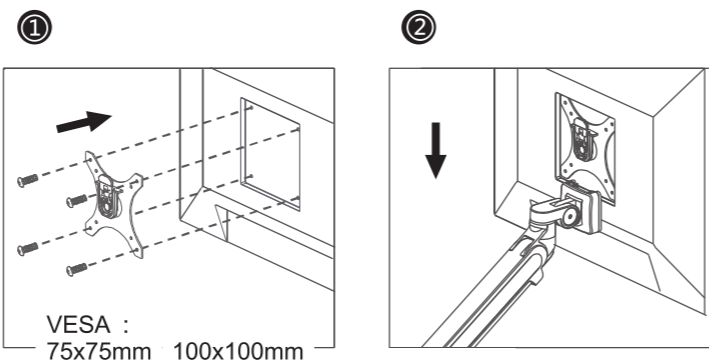


STEP 2: Installing the arm



Once the arm is put in place, secure it in place by tightening the screw.

STEP 3: Mounting the monitor

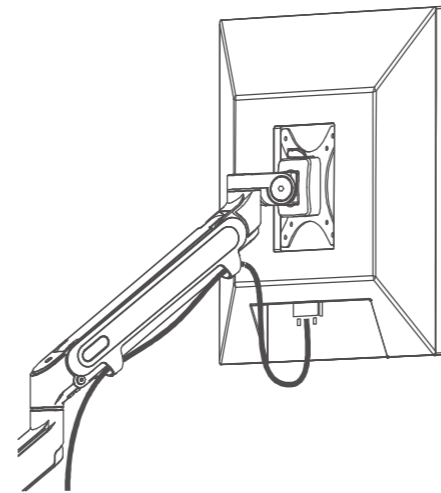


- ① Install the VESA plate to the back of your monitor. Make sure you install the clip facing upwards. Our VESA plate is compatible with both 75x75mm and 100x100mm mounts.
- ② You can easily slide down the monitor with VESA plate into the arm bracket.

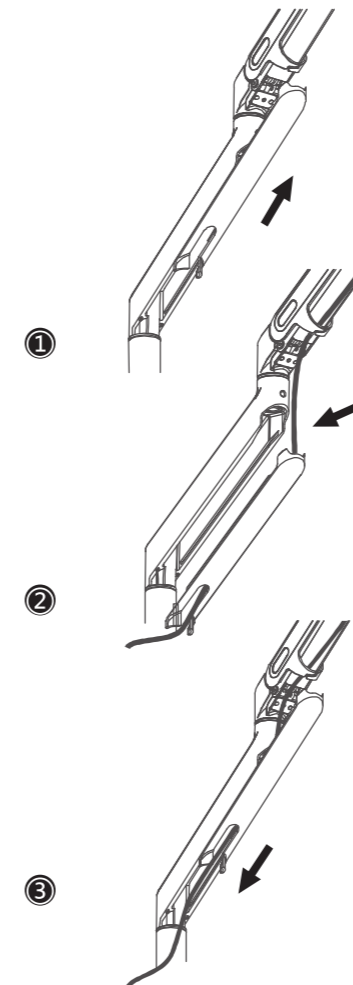
To remove, press the clip at the top while pulling the monitor up.

Cable Management

Use the built-in cable management to tidy up your cables.



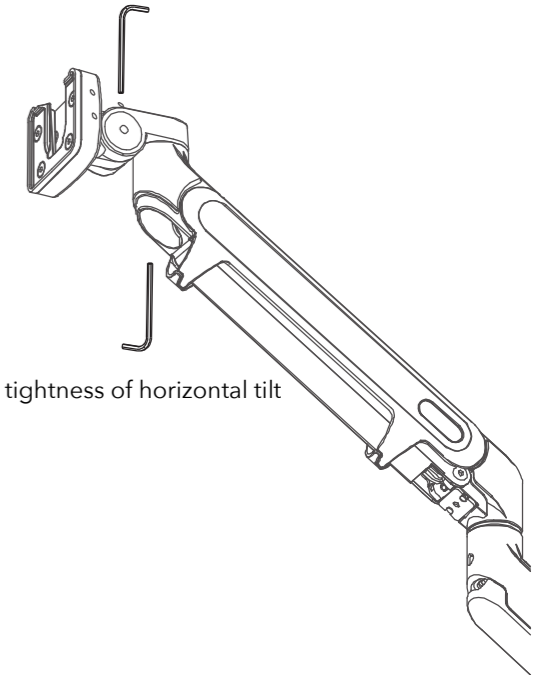
Removing the cover plate may need some force, be careful not to damage it while doing so.



Adjustments

The default adjustments work for most use cases. You may look into these finer adjustments to make them suit your needs.

Adjusts the tightness of verticle tilt



Adjusts the tightness of horizontal tilt

If your monitor seems too heavy or too light to easily adjust its height, tightening the weight screw may help.

Important: Unlike other screws, turning this screw anti-clockwise will make it tighter, requiring more weight to move the monitor up or down.

