

norticedesk

Pro Series Frame

by

OwnElement

Assembly Instructions

Lets set up your new standing desk.

Contents

Cautions and Use	1
In the Box	2
Specs	3
Quick Look	3
Assembly	4
Troubleshooting	12
Anti-Collision	12

Cautions

Please read this manual carefully. If the desk changes hands, please provide this manual to the new owner.

Make sure the desk top is not touching any obstacles or walls.

Make sure all cords (monitors, speakers or any item on the desk) are of appropriate length to accommodate full range of height adjustment.

Keep children away from desk components. There is a risk of injury or electric shock.

Do not sit or stand on the desk frame. Do not crawl or lie under the desk frame.

This desk is designed to be used in dry work areas only. It should not be used in environments with high humidity or dampness.

Do not open or modify any of the components, including the lifting columns, control box or handset. Doing so risks, electric shock and voids any warranty claims.

Use & Liability

This desk is adjustable so that it can be positioned at the most ergonomically suitable height. Any extracurricular use is at the user's own risk.

Under no circumstances does the manufacturer accept warranty claims or liability claims for damages caused by improper use or handling of the desk.

Setup & Installation

Once the desk has been assembled, make sure there are no cables that can get jammed.

Choose a placement for the desk that maintains a safe distance from window frames, radiators, furniture, etc.. ensuring that people or property will not get stuck or trapped by the desk.

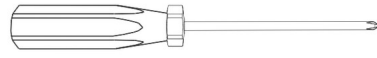
Do not place any object that is taller than 50cm (20 inches) underneath the desk.

After assembly, do not move the desk by lifting from the desk top. Lifting this way can add stress to the fasteners connecting the desk frame to the desk top. Lower the desk completely and lift the desk by grabbing the top of the desk frame or remove the desk top first.

In the Box

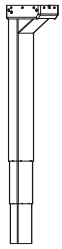


Hex Wrench



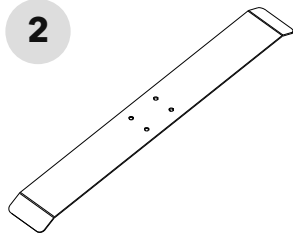
Phillips Head Screw Driver

1

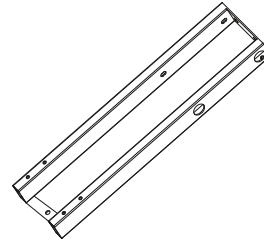


Lifting Column x2

2

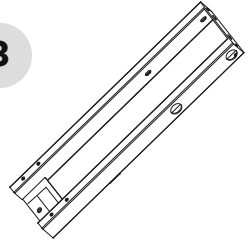


Foot x2



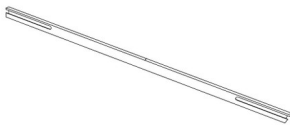
Frame End

3



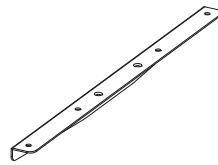
Frame End w/ Control Box Bracket

4



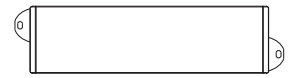
Center Rail x2

5



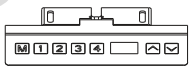
Side Bracket x2

6



Control Box

7



Memory/Simple Handset

8



Levelling Studs x4

9

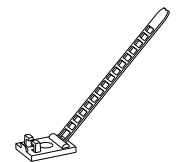


Leg Extension Cable



Power Cable

A



Cable Clip x5

B



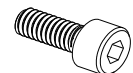
Small (M6x12)
Machine Screws x8

C



Flat Head (M6x8)
Machine Screws x4

D



Medium (M6x16)
Machine Screws x18

E



Headless (M6x8)
Machine Screws x8

F



Long (M5x18)
Wood Screws x10

G



Small (M4x12)
Wood Screws x2

H



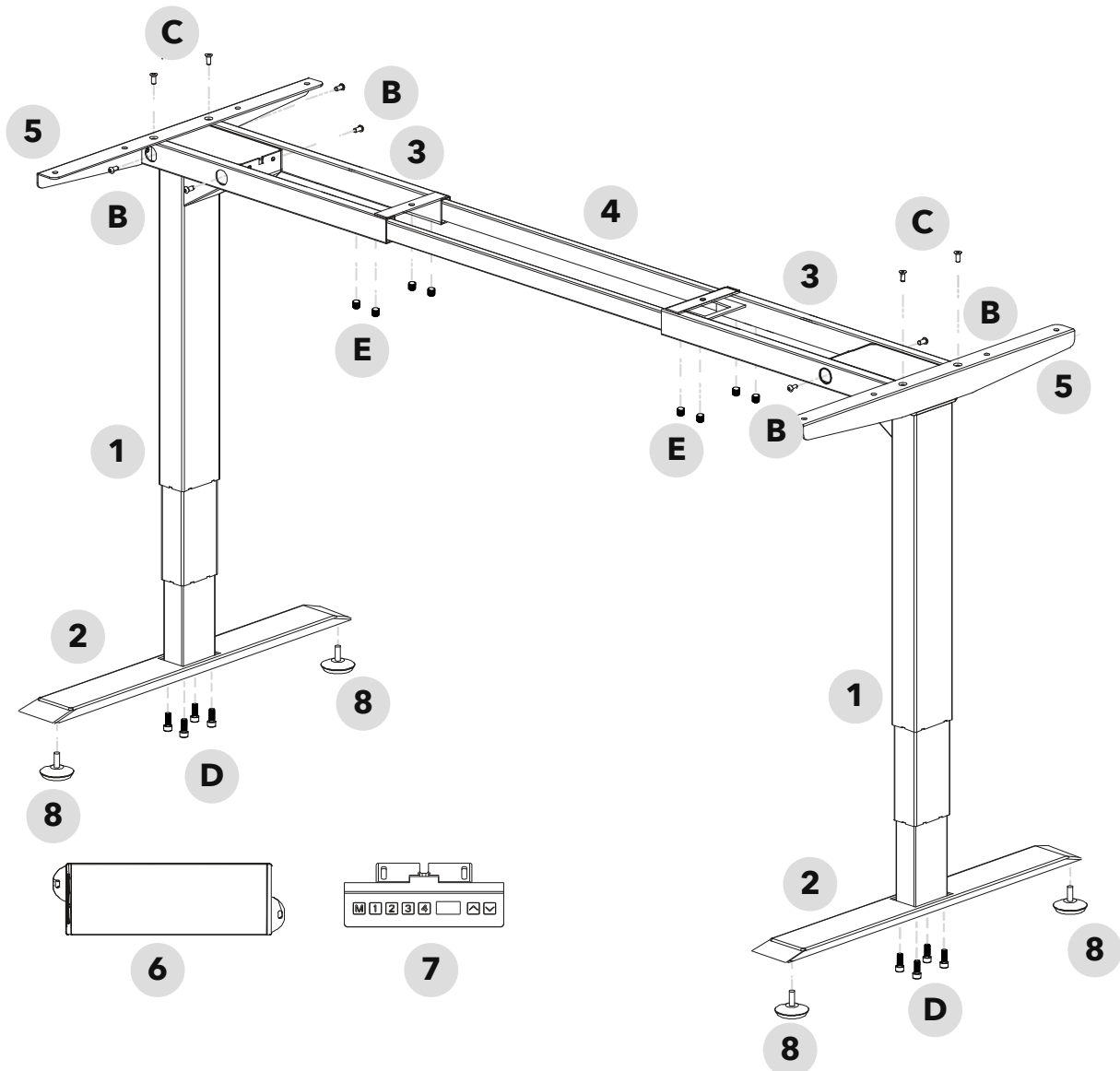
Vibration Dampening
Washers x10

* We include an extra screw of each type just in case if you lose one during assembly

Specs

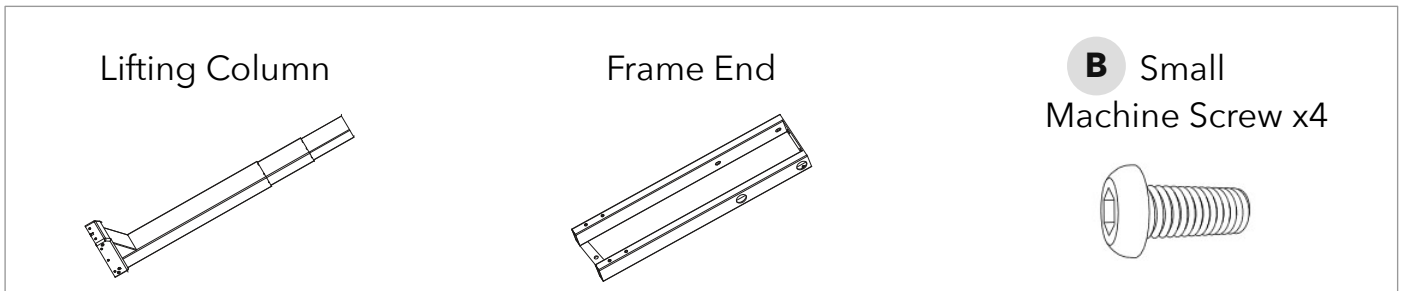
	Pro	Pro Extended
Height Range (without desk top)	70cm (27.5") - 115cm (45.2")	60cm (23.6") - 125cm (49.2")
Travel Speed	30mm/s	38mm/s
Operating Noise	Less than 50dB	Less than 50dB
Load Capacity	100kg (220lbs)	100kg (220lbs)
Other Features	Anti-Collision, Smooth Start/Stop	Anti-Collision, Smooth Start/Stop
Duty Cycle	10% with Max 2 mins on, 18 mins off	10% with Max 2 mins on, 18 mins off

Quick Look



Assembly

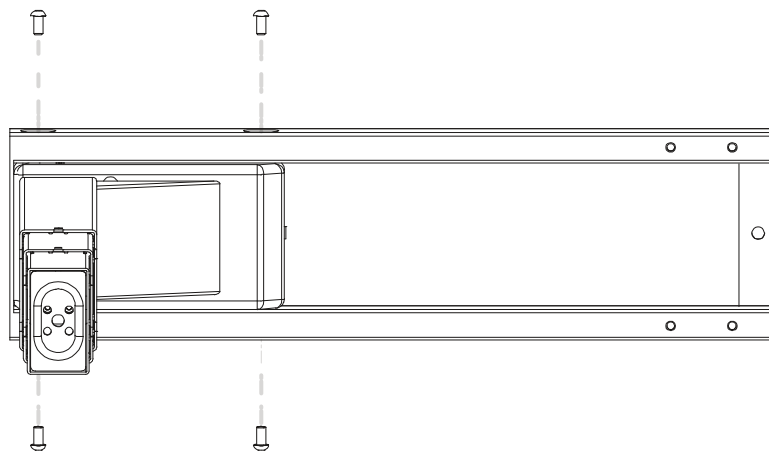
STEP 1



Take the top frame apart by separating the Frame Ends and the Center Rails.



Insert one of the Lifting Column (either one, they're the same) into one of the Frame End (also the same) as shown.



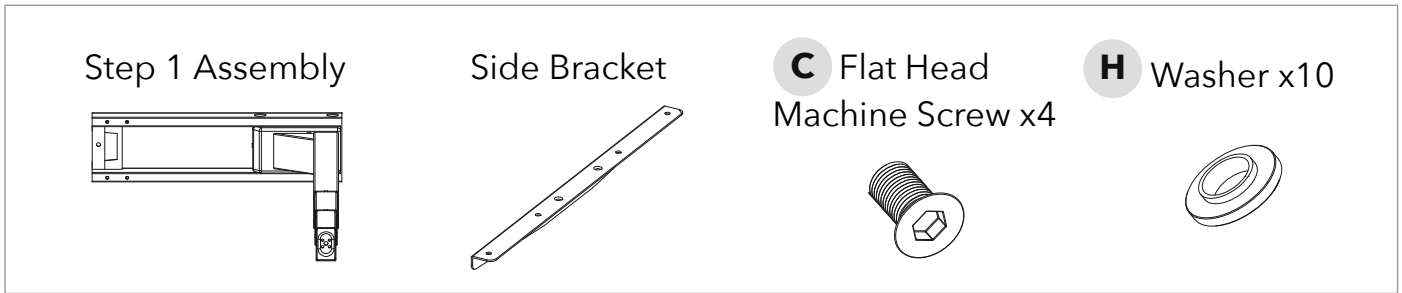
To secure the Frame End to the Lifting Column, align the four holes on the Lifting Column with the holes in the frame end and thread four (4) Small Machine Screws. Do not tighten them all the way.

If you drop a screw inside the Frame End, simply tilt to retrieve the screw.

Once all four screws are in place, tighten completely.

Repeat this step for each Frame End and Lifting Column.

STEP 2

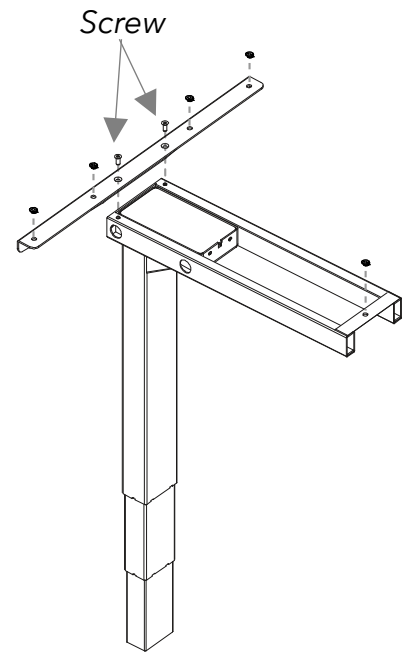


Align the two holes of the Side Bracket with the Frame End of the Step 1 Assembly.

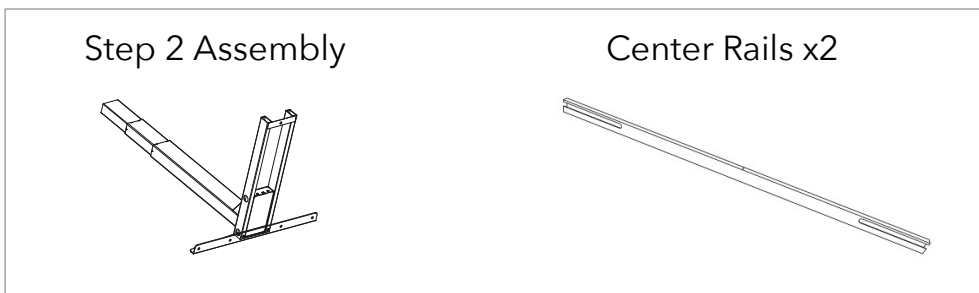
Thread two Machine Screws through, once both the screws are in place, tighten them completely.

If you're using a desk top without pre-drilled holes and metal inserts, then insert four (4) Washers into the holes of the Side Bracket, and one (1) in the middle of the Frame End (these will be used when mounting the desk top).

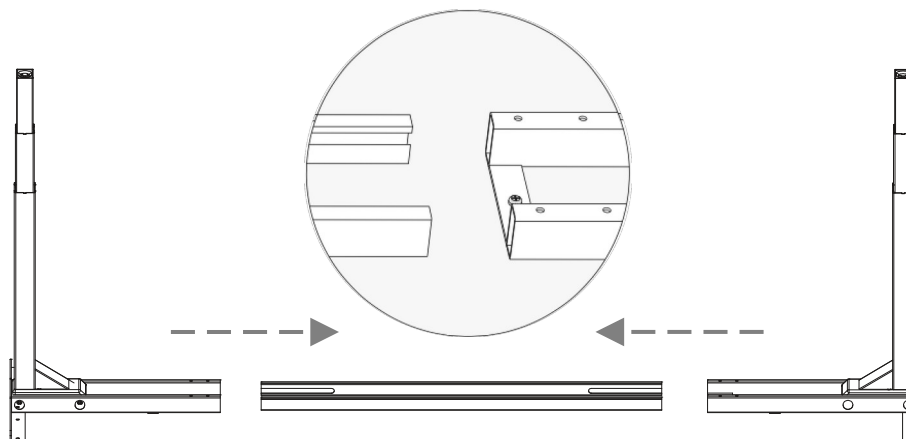
Repeat this step for each unit of Step 1 Assembly.



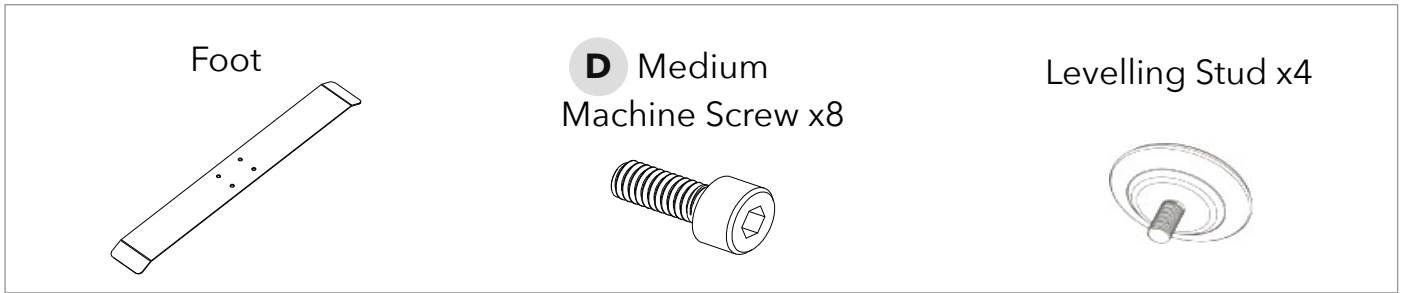
STEP 3



Slide the Center Rails into the Frame End from the Step 2 Assembly. Make sure the cut-out slots are facing inwards.



STEP 4

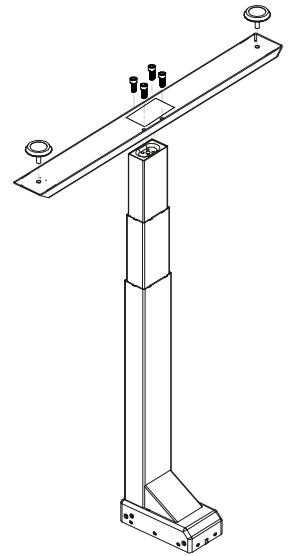


Loosely attach a Foot to the bottom of each Lifting Column, using four (4) Medium Machine Screws per Foot.

Once all the screws are in place, tighten them down all the way in an X pattern.

Attach two (2) Levelling Studs to each Foot.

Repeat this step for each Foot.

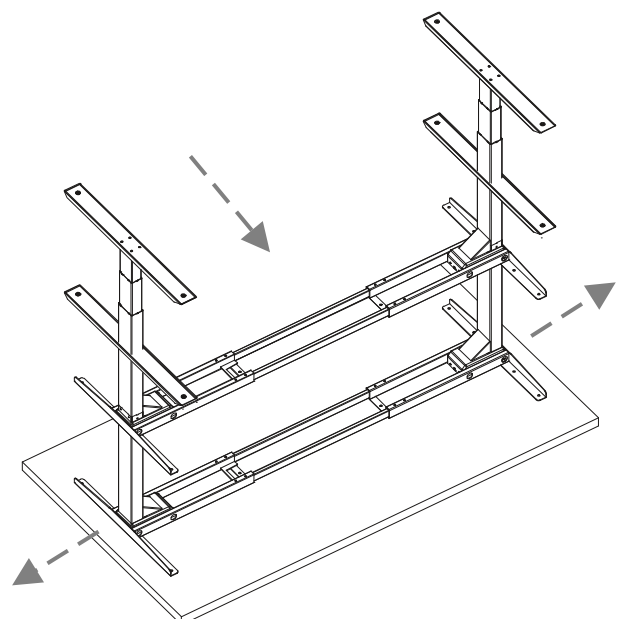


IMPORTANT: If you have purchased a cable management tray that attaches to the frame, please assemble it before continuing to the next step.

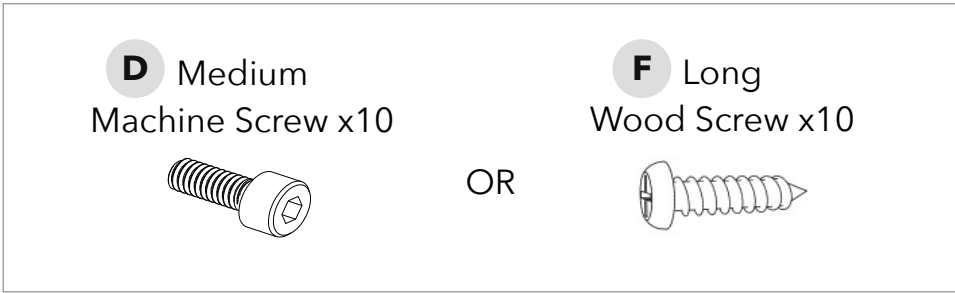
STEP 5

Your desk top may or may not be pre-drilled. Check both sides of the desk top to see if it has pre-drilled holes. If it does, it will be the underside of the desk top. Lay your desk top on a padded workspace with the underside facing up.

Carefully place the upside-down desk base on the underside of the desk top. Adjust the width of the base to fit the desk top by sliding the two halves outwards.



STEP 6

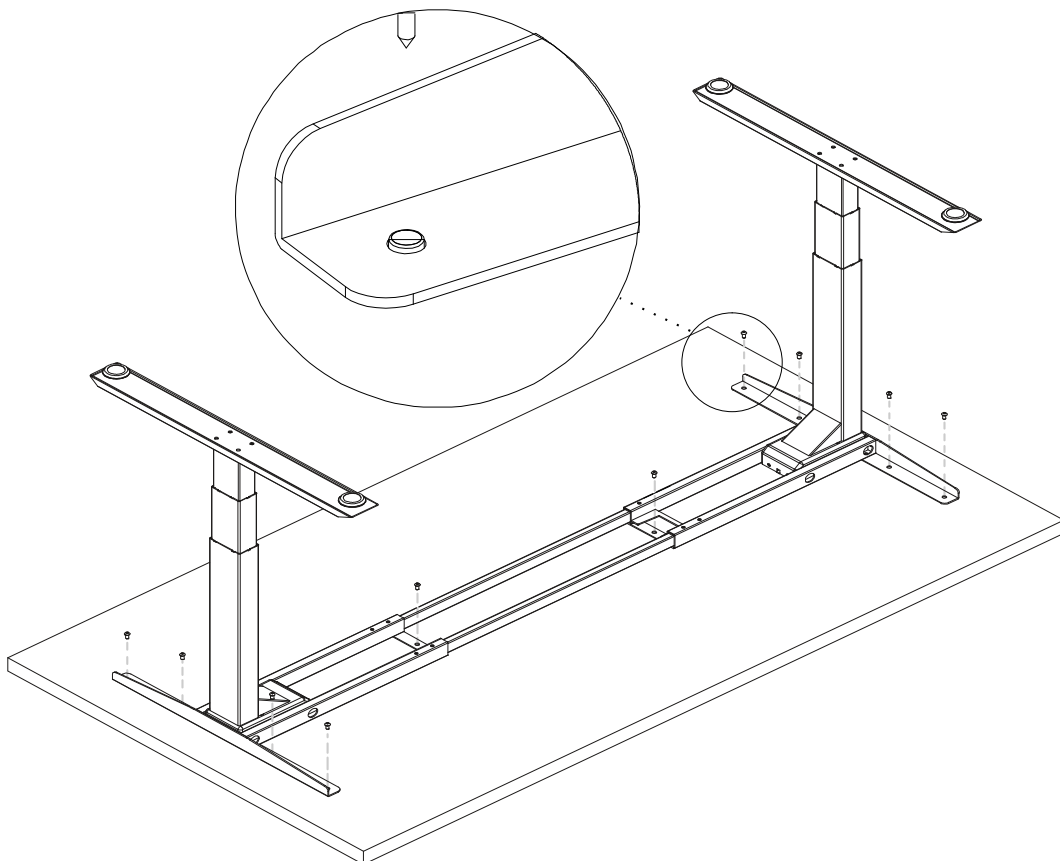


Double check to make sure the base is properly centered, and the pre-drilled holes in the desk top (if there are any) are aligned with the holes in the frame.

If the pre-drilled holes have metal inserts, you will need to use the Machine Screws.

If your desk top does not have pre-drilled holes, we recommend pre-drilling before using the Wood Screws, as it will reduce the risk of fracturing the wood while tightening the screw.

Insert and partially tighten all the screws. Four (4) on either side and two (2) in the center. Once everything is in place, tighten the screws completely.

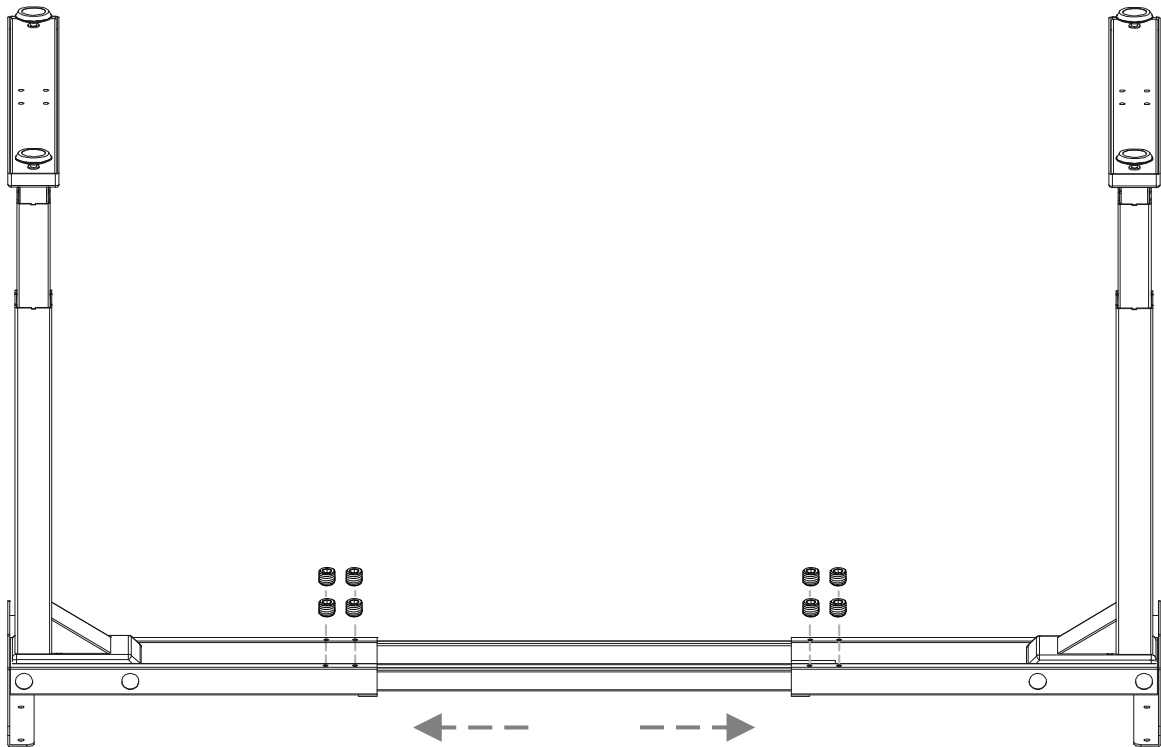


STEP 7

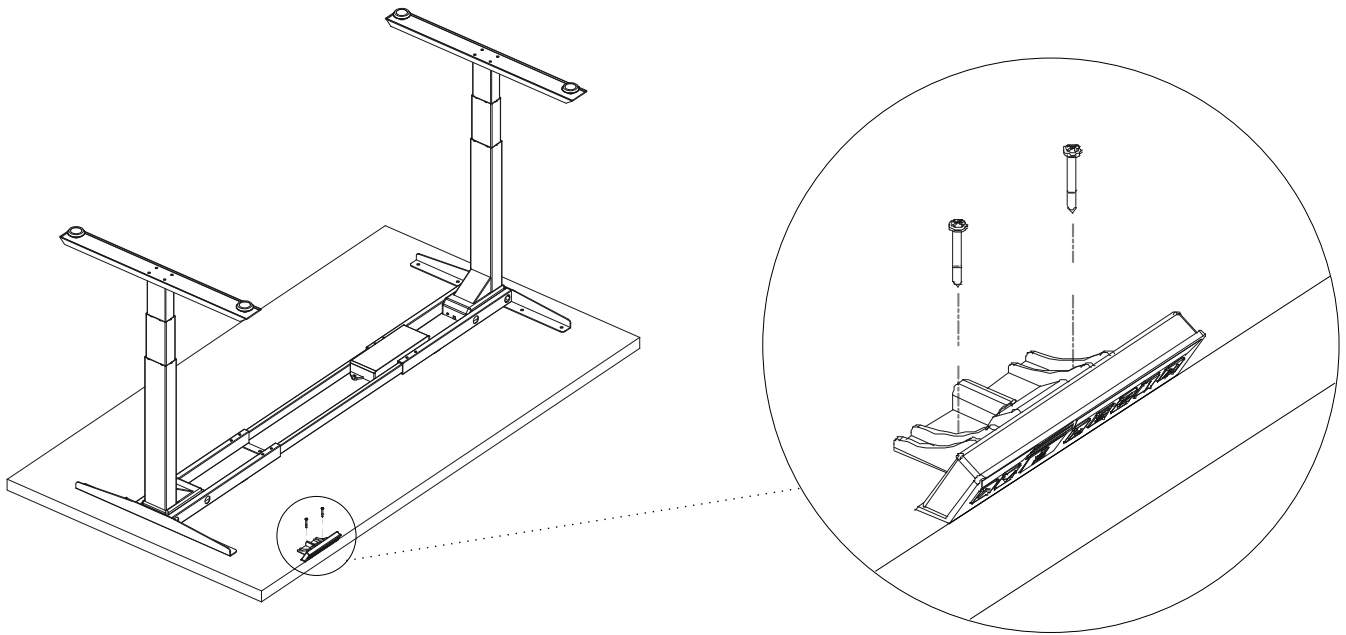
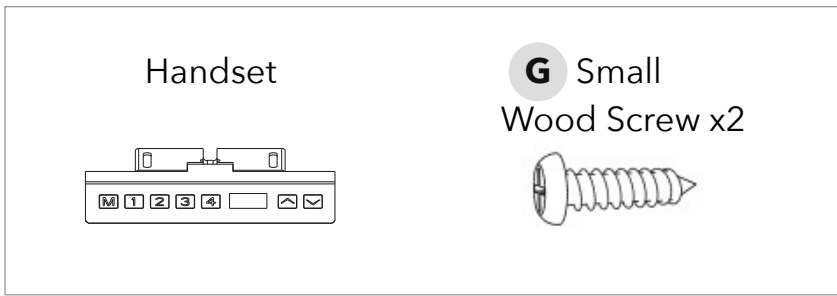
E Headless
Machine Screw x8



Slide the Center Rails to the center and insert Headless Machine Screws partially (Four (4) screws on either side). Once all of the screws are in place, and the center rails are adjusted, tighten the screws all the way to lock the Center Rails down firmly.



STEP 8



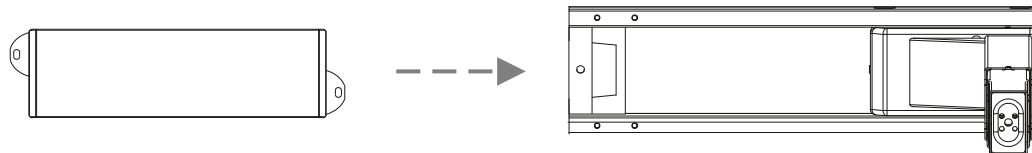
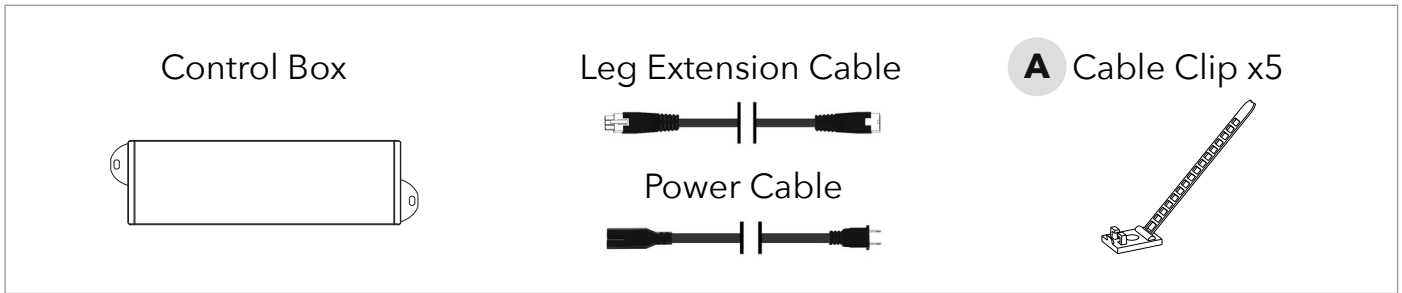
If you haven't already, now is a good time to decide which side you want your Handset to be on.

If you have an Own Element desk top, there will be pre-drilled holes for attaching your Handset along the front of the desk top. These pilot holes do not have metal inserts, therefore it might be harder to spot on certain desk top materials such as Bamboo or Elm Wood.

However, you're free to attach the Handset in any position you prefer.

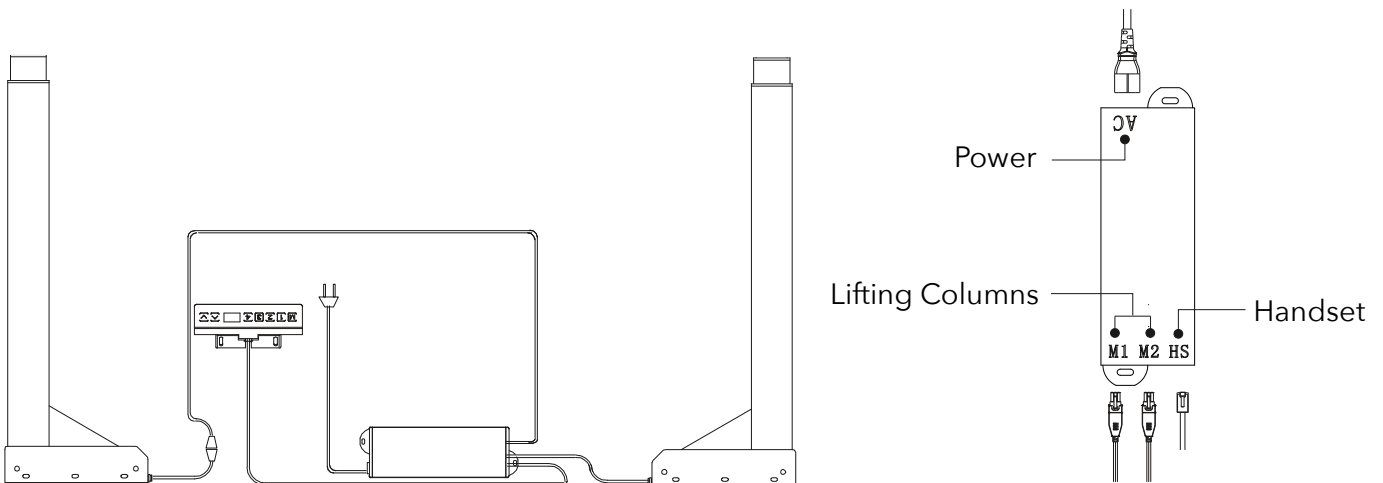
Once you have decided the location of your Handset, use two (2) Wood Screws to secure it in place.

STEP 9



Slide the Control Box onto the Frame End with the receiving bracket.

Once the Control Box is securely in place, it's time to attach the rest of the cables.



Connect cables from both the Lifting Columns to the Control Box via the sockets labelled M1 and M2 (the order does not matter).

You may notice, the cable of one Lifting Column is not long enough to reach the control box. Use the Leg Extension Cable to connect the Lifting Column to the Control Box.

Connect the Handset to the Control Box via socket labelled HS.

Connect the Power Cable via the power socket.

Pro Tip: Use the included Cable Clips to route the wires. You can stick the adhesive clips to either the desk top or the metal frame. If you need a neater solution, consider using a cable management tray.

Great! You're almost there. A few final steps

The Flip

Turn the assembled desk right-side-up. You might need two people for this task. Be careful not to put weight on the Handset while turning the table.

If the surface is not levelled (maybe you're placing your desk on a rug), adjust the Levelling Studs as needed.

Calibration

Before you start using the desk, we must make sure all electronic components are in sync.

Step 1: Press and hold the DOWN button on your Handset until the desk reaches it's lowest height.

Step 2: Press and hold the DOWN button again until you hear the "beep" sound. The desk will first lower slightly, then rises slightly, and finally stops.

Memory Presets

Setting memory preset is straightforward.

Step 1: Adjust the desk to the desired height.

Step 2: Press the "M" button and then press the number (1 to 4) that you want to assign the preset height.

Now, whenever you want your desk to go back to that height, all you need to do is, press the number you allocated for that specific height.

Locking/Unlocking the Desk

You can lock your desk to prevent any accidental height adjustments or to childproof your workspace. While your desk is locked, you will not be able to change the desk height, using UP or DOWN button or Preset Buttons.

Locking: Pressing UP and DOWN button at the same time for 5 seconds will lock the desk in place.

Unlocking: Pressing UP and DOWN button at the same time for 5 seconds will unlock the desk.

Troubleshooting

If you see an error message (E11 - E21) or if your desk is not functioning as intended, confirm all your cables are correctly connected. Once you have checked that all connections are secure, re-calibrate your desk following the calibration steps.

If you see the error message E08, your desk might not be properly levelled. Make sure it's placed on a levelled surface, or adjust the Levelling Studs on the feet accordingly.

If the height difference between the two legs exceeds 5cm (2 inches) stop the reset procedure and contact Own Element team.

If the handset displays "HOT", let the desk cool down for 20mins before adjusting height again.

If the handset displays "RST", disconnect the Power Cable and Handset Cable from Control Box for 30 minutes. Connect them back again properly and press the Down button and hold for 10-15 seconds until the table stutters and beeps.

Anti-Collision

The NorticDesk has a built-in automatic anti-collision detection system. If your desk detects an obstacle while in motion, it will halt, and move in the opposite direction slightly and stop completely. This feature helps prevent any accidents and to protect your valuable belongings from any damage.

All this information can be found online at ownelement.com/instructions

Own**Element**